



# ZAMBONI 650

Introducing the next generation of ice resurfacing machines. The Zamboni 600 Series was designed to redefine the standard.

The Model 650 is the culmination of our decades of experience and feedback from the industry. Its improved efficiencies and ease of maintenance give arena operators a true competitive edge.

A bold redesign of the familiar shape of the 500 Series did not leave behind the proven performance and exceptional results the industry expects of our products.

AC motors mean less maintenance. Improved capacities and efficiencies mean more time doing what the machine was designed to do: leave behind a world class sheet of ice which distances us from the competition.



# Some Things Never Change



## Efficiency | Reliability | Performance

...and everything else you would expect from Zamboni. Those things will never change. The Model 650 retains the best features of the 500 Series machines, while introducing dramatic enhancements inside and out.

Engineered to challenge expectations, its sleek fiberglass body is well-suited for the tough environment it will call home. The intelligent design of its chassis allows ease of access and strategic placement of interior components. Innovative subsystems offer efficiencies while maintaining maximum operating power.

The Model 650 has exceptional snow compaction. Its automatic snow-breaker is a standard feature. The ergonomics of the operator area have been reimagined with a focus on the safety and comfort of the driver.

Configured to accommodate high capacity battery options, the Model 650 affords additional resurfacings for your arena's busy schedule.

## Nothing else is even close.

Next-generation electronic motors and controls combined with a proven and powerful battery system are capable of the endurance demanded by the industry's toughest applications.

The Model 650 is the culmination of over six decades' worth of experience in the field, combined with a team of engineers driven by a global perspective. The end result: a machine worthy of a new designation to proudly introduce the 600 Series.

Facility operators have a choice. More of them choose Zamboni than any other ice resurfacer. Ask them why. It's likely you'll hear talk of the "best sheet of ice" and "ease of operation". We don't consider these to be optional. You shouldn't, either.

# ZAMBONI®

**Zamboni USA**  
15714 Colorado Ave.  
Paramount, CA 90723  
Phone 562.633.0751

**Zamboni Canada / Europe**  
38 Morton Ave. East, Box 1388  
Brantford, ON Canada N3T 5T6  
Phone 519.758.5000

**www.zamboni.com**  
ZAMBONI and the configuration of the Zamboni® ice resurfacer are registered trademarks of the Zamboni Company.  
©2015 Zamboni

# 650

## Capacities/Dimensions

### Snow Tank

Actual Volume	3.00 m <sup>3</sup>	106 cu. ft.
Compacted	3.74 m <sup>3</sup>	132 cu. ft.

### Water

Ice Making	757 L	200 USG
Wash Water	227 L	60 USG
Total	984 L	260 USG

### Hydraulic Oil

91 L	24 USG
------	--------

### Conveyor System

Horizontal Auger	25.4 cm	10 in. dia.
Vertical Auger	25.4 cm	10 in. dia.

### Overall Length

Snow Tank Down	4.04 m	159 in.
Snow Tank Up	4.88 m	192 in.

### Overall Height

Snow Tank Down	2.26 m	89 in.
Snow Tank Up	3.13 m	123 in.

### Overall Width

2.13 m	84 in.
--------	--------

### Wheelbase

1.96 m	77 in.
--------	--------

### Wheel Track

1.50 m	59 in.
--------	--------

### Turning Radius

At Conditioner	4.83 m	15 ft. 10 in.
----------------	--------	---------------

### Shaving Blade

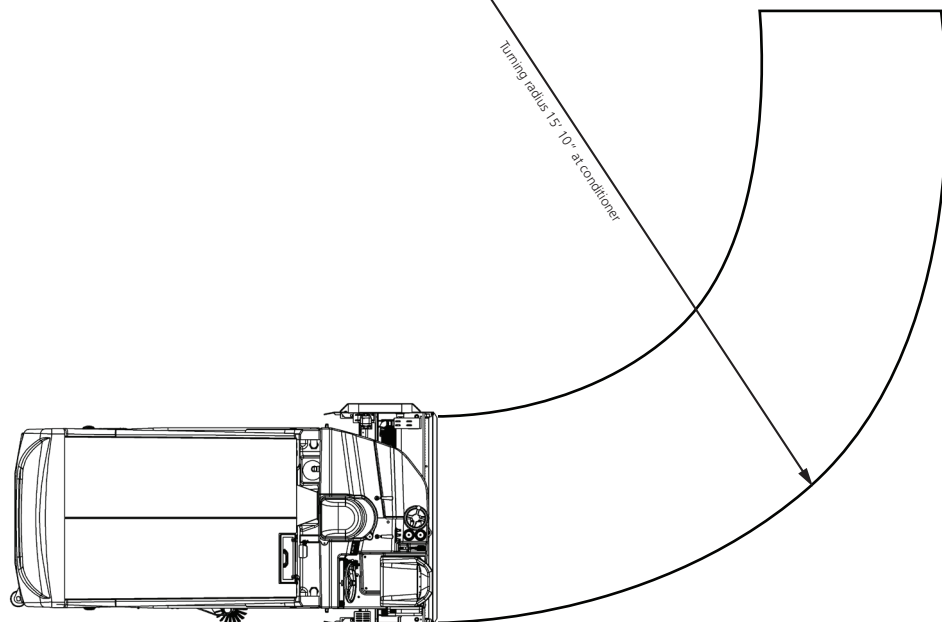
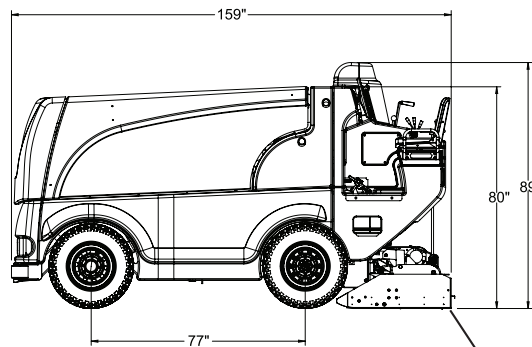
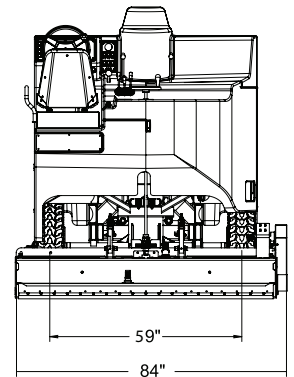
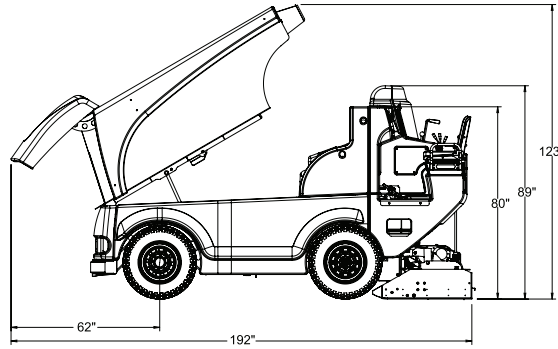
1.27 x 12.7 x 195.6 cm
1/2 in. x 5 in. x 77 in.

### Vehicle Weight

Empty	4853 kg	10700 lb.
w/Water	5670 kg	12500 lb.

### Electronic Specifications/Features

Dependable Sevcon® Gen4 controls have been proven in applications throughout the world. "On-board" diagnostics provide trouble shooting capability and vehicle management functions.



This brochure has been prepared only as a general guide for the customer. Every effort has been made to assure that the information is correct at the time of its printing. Some features described or shown may be optional at extra cost and prices, colors, materials, specifications and models are subject to change. Some options are required in combination with other options. ZAMBONI and the configuration of the Zamboni® ice resurfacing machine are registered trademarks of Frank J. Zamboni & Co., Inc. ©Zamboni 2015.

# ZAMBONI®

**Zamboni USA**  
15714 Colorado Ave.  
Paramount, CA 90723  
Phone 562.633.0751

**Zamboni Canada / Europe**  
38 Morton Ave. East, Box 1388  
Brantford, ON Canada N3T 5T6  
Phone 519.758.5000

[zamboni.com](http://zamboni.com)